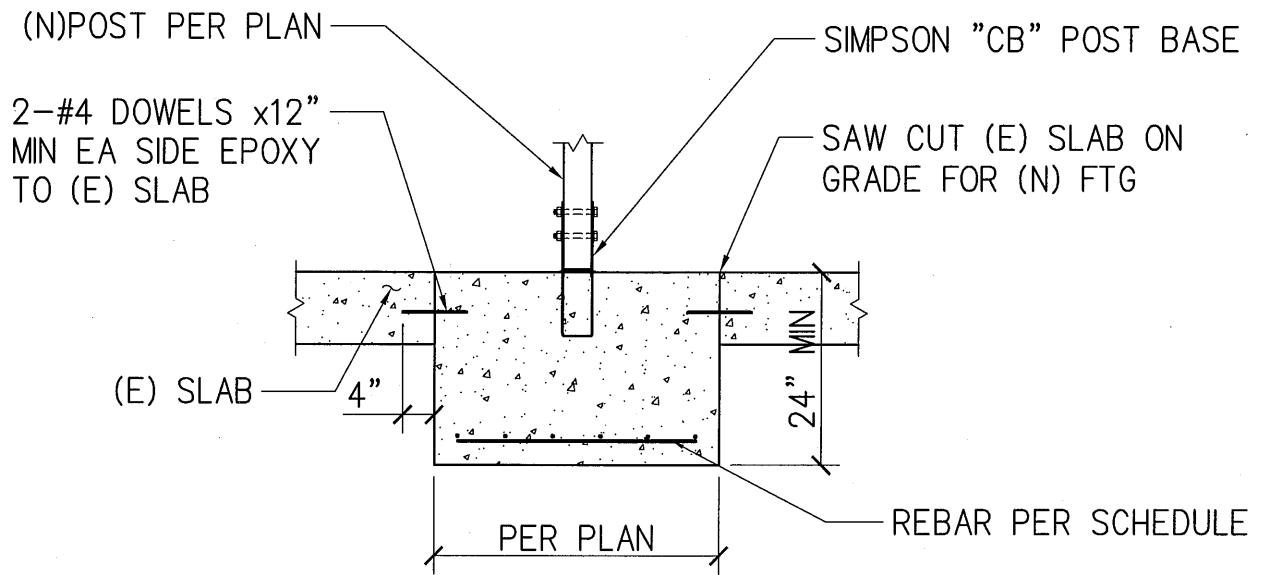


FOUNDATION PLAN

SKS041307-01

SCALE: 1/8" = 1'-0"



(N) POST TO (N) FOOTING DETAIL

SKS041307-02

SCALE: 1/2" = 1'-0"

NISHKIAN MENNINGER

DRAWN BY: MD

FOOTING SCHEDULE

MARK	SIZE			REINFORCING		REMARKS
	WIDTH	LENGTH	DEPTH	LONGIT.	TRANS.	
F1	36"	36"	24"	4#5	4#5	
F2	30"	30"	24"	3#5	3#5	
F3	24"	24"	24"	3#5	3#5	



FOOTING SCHEDULE
 SKS041307-03

NISHKIAN MENNINGER

DRAWN BY: MD